



Speedo Tech
engineering

Aluminum Worm Gear Box



[Www.speedotechengg.com](http://www.speedotechengg.com)
E-mail: speedotechengg@gmail.com



Company Profile

Speedo tech Engineering are recognized note worthy manufacturer and supplier of board assortment of aluminum worm reducer, Worm Gear box and Ac motor. This Product are manufactured using high grade material and latest technology in conformity international standards. Furthers raw material inputs, we utilized in manufactured process are procured from reliable and certified vendor. Due to consistence performance, Sturdy constructions, Less maintenance, technical advancements and longer service life, our offered gearbox are highly acknowledge by our client

Product Overview

Gear Housing : Gear Housing is made of Die casted aluminum alloy designed to store required quantity of synthetic lubricant to achieve higher thermal rating & Ensure worm Unit long term lubrication. It is provided with large cooling fins on both sides with maximum surface area expose to atmosphere and improve efficiency. Housing are machined on CNC machine to achieve better dimensional quality.

Worm Wheel : Material of worm wheel is cast phosphorus bronze (PB-2 as per BS 1400)

Bearings : The worm and worm wheel shafts are supported by reputed brand ball brand bearing which have good capacity to allow overhung & shock loads.

Oil seals : Superior quality oil seals are used to avoid any leakages.

Lubrication of Gearboxes: Gear box are filled with synthetic oil grade ISO VG 320. Which is virtually maintenance free and does not require oil change.

Product Range

Aluminum worm Gear box which is known as Worm Speed Reducer. It is new Generation of product developed with advance technology in power transmitting sector.

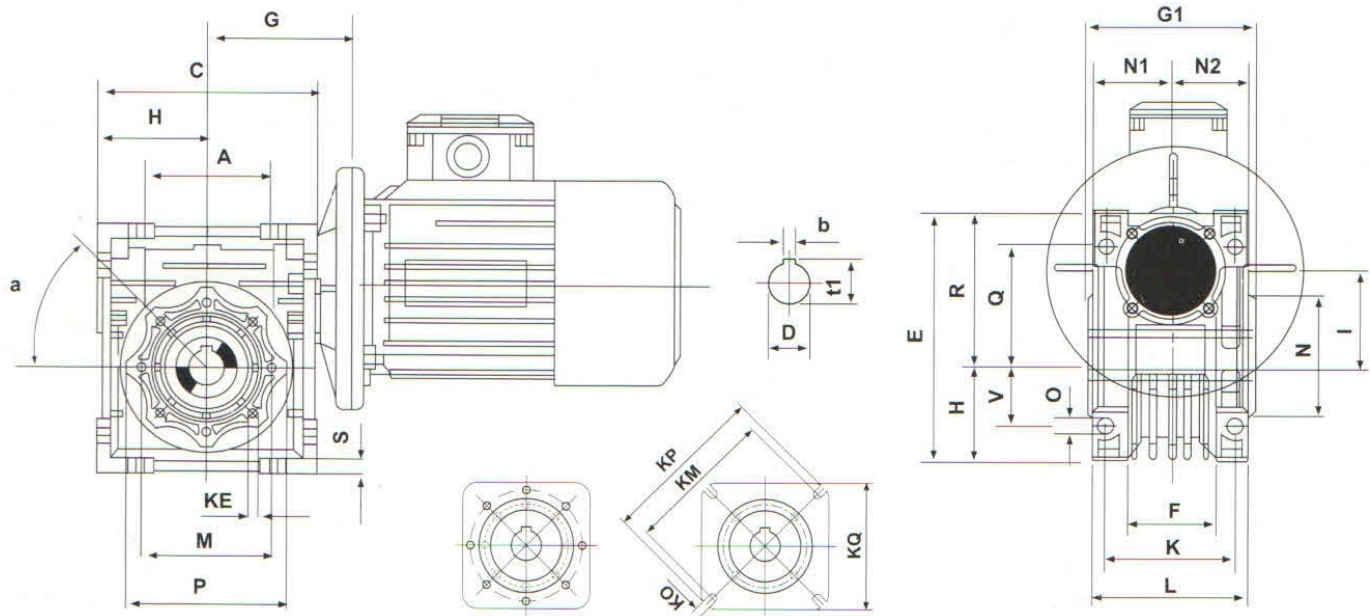
Centre Distance	: Up to 130 mm
Ratio	: 7.5 to 100:1
Torque	: up to 200kgm
Input Power	: 0.16 Hp to 7.5 hp
Mounting	: Universal Mounting
Output Shaft	: Hollow Ø 14mm to Ø 45mm

Why Aluminum Worm Gear Box?

- 1) High strengths & Less weight
- 2) Small Cubage & high Efficiency
- 3) Easy to Mount and Maintain
- 4) Running stable / Low noise
- 5) Hollow input shaft with motor flange & Hollow output shaft as standard
- 6) Wide range in output reduction ratio, Large torque, Good capability of enduring overload.



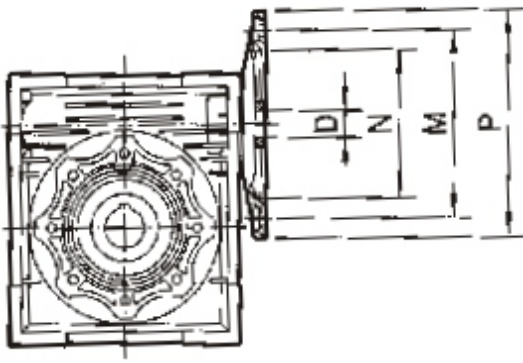
DIMENSION OF WORM GEAR BOX



MOUNTING DIMENSION

Size/Model	A	C	D	E	F	G	H	I	L	M	N	O	P	Q	R	S
30	54	80	11	97	32	55	40	30	56	65	55	6.5	75	44	57	5.5
40	70	100	18/19	121	43	70	50	40	71	75	60	7	85	55	71	6.5
50	80	120	25	144	49	80	60	50	85	85	70	8.5	100	64	84	7
63	100	144	25/28	174	67	95	72	63	103	95	80	8.5	110	80	102	8
75	120	172	28	205	72	112.5	86	75	112	115	95	11.5	140	93	119	10
90	140	208	35	238	74	129.5	103	90	130	130	110	13	160	102	135	11
110	170	253	42	295		160	127.5	110	144	165	130	14	200	125	167.5	14.5

Size/Model	V	K	KE	a	KM	KN	KO	KP	KQ	d	b	t1	X	Y
30	27	44	M6x8(n.4)	45	68	50	6.5	80	70	11	4	12.8	3	10.2
40	35	60	M6x8(n.4)	45	87	60	9(4/90)	110	95	11	6	20.8/21.8	4	12.5
50	40	70	M8x10(n.4)	45	90	70	11(4/90)	125	110	14	8	28.3	5	16
63	50	85	M8x14(n.4)	45	150	115	11(4/90)	180	142	19	8	28.3/32.3	6	21.5
75	60	90	M8x14(n.4)	45	165	130	11.5(4/90)	200	170	24/28	8	31.5	8	27
90	70	100	M10x18(n.4)	45	175	152	13(4/90)	210	200	24/28	8	38.3	8	27
110	85	115	M10x18(n.4)	45	230	170	14(4/90)	280	260	28	8	45.3	8	31



The Configuration of Aluminum Worm Gear Box to AC Induction Flange, Input Shaft and Gear Ratio

Size	Motor Flange				D hole the diameter of Input shaft												
	Motor Frame	P	M	N	Transmission Ratio												
					7.5	10	15	20	25	30	40	50	60	80	100		
BOX 30	63 B5	140	115	95	11	11	11	11	11	11	11	11					
	63 B14	90	75	60													
BOX 40	71 B5	160	130	110	14	14	14	14	14	14	14						
	71 B14	105	85	70													
	63 B5	140	115	95	11	11	11	11	11	11	11	11	11	11	11	11	11
	63 B14	90	75	60													
BOX 50	80 B5	200	165	130	19	19	19	19	19	19							
	80 B14	120	100	80													
	71 B5	160	130	110	14	14	14	14	14	14	14	14	14	14	14		
	71 B14	105	85	70													
	63 B5	140	115	95								11	11	11	11		
BOX 63	90 B5	200	165	130	24	24	24	24	24	24	24						
	90 B14	140	115	95													
	80 B5	200	165	130	19	19	19	19	19	19	19	19	19	19	19		
	80 B14	120	100	80													
	71 B5	160	130	110							14	14	14	14	14		
	71 B14	105	85	70													
BOX 75	112 B5	250	215	180	28	28	28										
	112 B14	160	130	110													
	90 B5	200	165	130	24	24	24	24	24	24	24						
	90 B14	140	115	95													
	80 B5	200	165	130				19	19	19	19	19	19	19	19	19	19
	80 B14	120	100	80													
	71 B5	160	130	110								14	14	14	14	14	
BOX 90	112 B5	250	215	180	28	28	28	28	28	28							
	112 B14	160	130	110													
	90 B5	200	165	130	24	24	24	24	24	24	24	24	24				
	90 B14	140	115	95													
	80 B5	200	165	130								19	19	19	19	19	19
	80 B14	120	100	80													
BOX 110	132 B5	300	265	230	38	38	38	38									
	112 B5	250	215	180	28	28	28	28	28	28	28	28	28				
	90 B5	200	165	130					24	24	24	24	24	24	24	24	24
	80 B5	200	165	130												19	19